

LISTA_ **Electronic locking systems and access control systems**



OVERVIEW

Drawer systems

NC Storage and transport systems

Workstations

Clothes lockers and material cabinets

Shelf systems

Dynamic storage technology

Office systems

ESD

Electronic locking systems and access control systems

> **Electronic locking systems and access control systems**

Partition material

TABLE OF CONTENT

Overview electronic locking systems

Overview	4
----------	---

Smart Lock


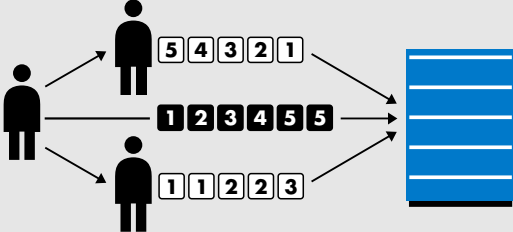

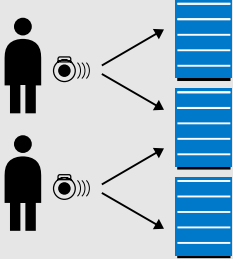

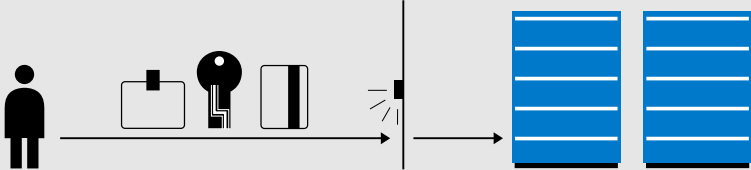

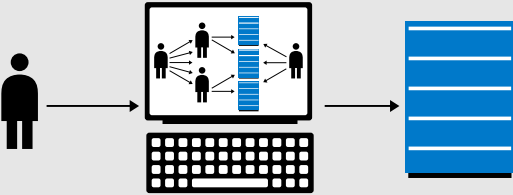

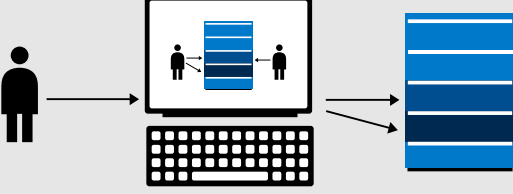
Introduction Smart Lock	7
System description	8

e-Lock

Introduction e-Lock	11
e-Lock Basic	12
e-Lock Connecto pcm	15
e-Lock Connecto scm	17
e-Lock Connecto scm-ia	20

SMART LOCK AND E-LOCK SYSTEM-OVERVIEW



	Unlocking via	
Direct		
Smart Lock 	Numeric code	
Connected		
e-Lock Basic 	Hand-held radio transmitter	
e-Lock Connecto pcm 	Current means of access, e.g. badge, U-key	
e-Lock Connecto scm 	PC and software	
e-Lock Connecto scm-ia 	PC and software	

Tailor made

In cooperation with customers, Lista also develops solutions to meet specific requirements. On request, Lista will offer you administration and logistics software. Further information can be obtained from your local Lista Customer Advisory Service.

For	Programmable self-locking	Linking of several cabinets	Access activity documentation	Necessary prerequisites	Power supply	Emergency opening
Drawer cabinets					Battery	■
Drawer cabinets Hinged-door cabinets Filing cabinets	■	Up to 6			Mains, Accumulator	■
Drawer cabinets Hinged-door cabinets Filing cabinets	■	Up to 10	■	Access control	Mains	■
Drawer cabinets	■	Up to 10	■	Logistics software	Mains	■
Drawer cabinets Drawer	■	Up to 10	■	Logistics software	Mains	■





SMART LOCK

ELECTRONIC LOCKING SYSTEMS

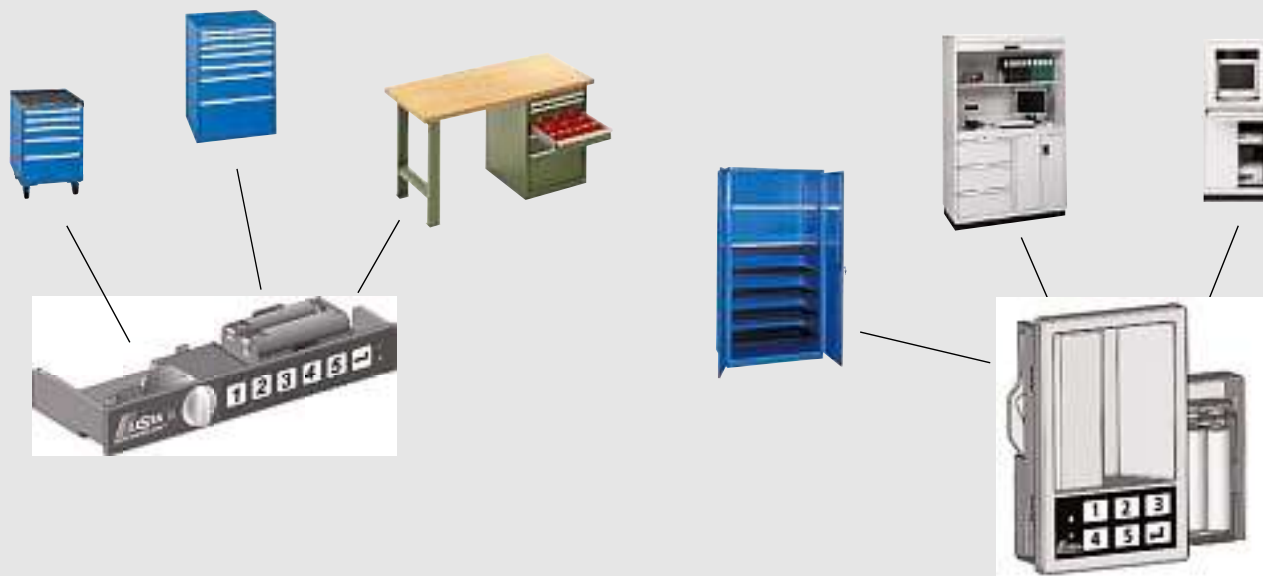
Smart Lock for drawer cabinets



Smart Lock for hinged-doors



Lista's Smart Lock is a simple electronic locking system in which a combination of numbers replaces a key. Battery operation makes Smart Lock a "stand-alone" system that functions without an external power supply. Individual user codes are programmed via a master code and can be deleted again at any time.



SMART LOCK

SYSTEM DESCRIPTION



Smart Lock

Smart Lock makes every type of key unnecessary. A simple four to six-digit number is all that's needed to open Lista cabinets. No keys that can be easily lost are required at all.

User administration is made easy too: individual user codes are programmed via a master codes and can be deleted again at any time. The individual user code then permits access to the Lista cabinet equipped with Smart Lock.

Possibilities with Smart Lock

- Direct access without a key
- Mastercode function
- Easy programming and deleting of individual user codes possible
- Integrating master key system
- Locked / unlocked position is always visible

Advantages

- Many years of mobility without battery change
- Cabinets fitted out with Smart Lock are mobile and independent of a power supply
- Simple operation
- Ready for use immediately

Operation

- A four to six-digit number is all that's needed to open Lista cabinets
- Locking without a key / code any time

Remarks

- Replacement modules are only adaptable for cabinets which are already equipped with Smart Lock. Order number please see page with the component parts. Cabinets with other locks cannot be modified with Smart Lock.

Programming Smart Lock

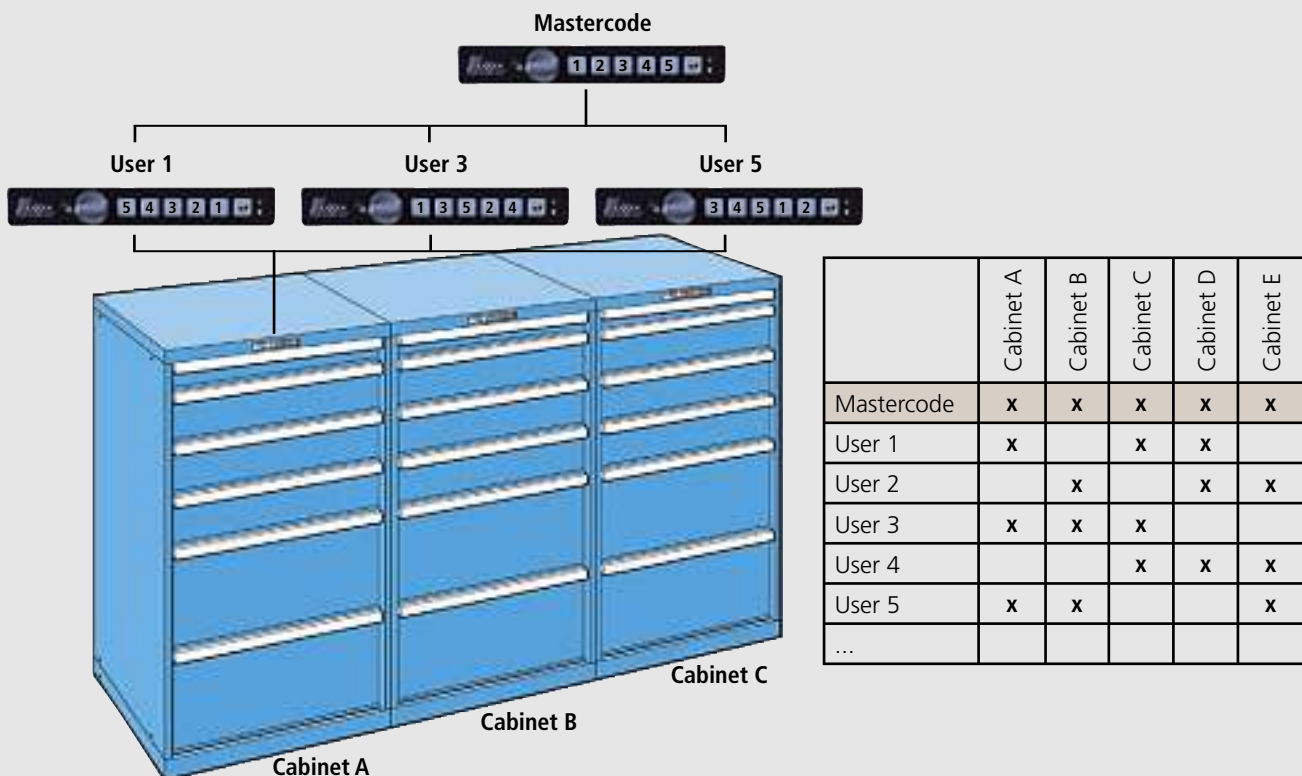
- Accesses programmed and deleted through mastercode
- Up to 19 user codes

Mains adapter

- Independent of a power supply thanks to battery operation they can be used wherever desired

Emergency opening

- Possible at all time trough adapter



SMART LOCK

COMPONENT PARTS SMART LOCK

Note: housing/hinged doors see respective chapter

Smart Lock is a simple electronic locking system in which a combination of numbers replaces a key. Battery operation makes Smart Lock a "stand-alone" system that functions without an external power supply.

Up to 19 different user codes can be programmed very quickly. Searching for a key will become a thing of the past.

Smart Lock for drawer cabinet

Smart Lock for drawer cabinets comes ready for use with instruction manual and emergency opening.

Ref no.

18.999 Smart Lock drawer cabinets

Additional costs for Smart Lock

Replacement module Smart Lock for drawer cabinets

Smart Lock replacement module for drawers cabinet comes with batteries, assembly instructions, instruction manual and emergency opening.

Ref no.

19.000 Replacement module Smart Lock for drawer cabinets

Replacement module can only be installed in existing Smart Lock housings.

Smart Lock hinged doors

Smart Lock for hinged doors comes ready for use with instruction manual and emergency opening.

Ref no.

12.187 Additional costs for Smart Lock

Additional costs for Smart Lock

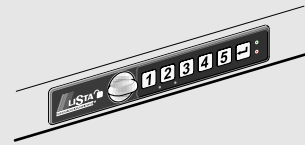
Replacement module Smart Lock for hinged doors

Smart Lock replacement module for hinged doors comes with batteries, assembly instructions, instruction manual and emergency opening.

Ref no.

45.150 Replacement module Smart Lock hinged doors

Replacement module can only be installed in existing Smart Lock hinged doors.







E-LOCK

THE LISTA ACCESS CONTROL SYSTEM



e-Lock Basic (stand alone cabinets)

Lista e-Lock cabinets are controlled by a programmable hand-held radio transmitter and accesses can therefore be granted or denied. Each hand-held radio transmitter has a unique code, which the receiver situated in the cabinet memorises. It is easy to create locking hierarchies. Teaching the transmitter at the cabinet is easy to perform using the Lista programming device.



e-Lock Connecto pcm (cabinets in series)

Lista e-Lock cabinets are integrated in an already existing Facility Management System. Access is granted by „keys“ already in use such as badge cards, fingerprint or similar media. An unlocking signal is transmitted from the customer's reading device to the interface of the Lista e-Lock system. Access rights are determined in the customer's system. Access logging is possible on the customers' side.



e-Lock Connecto scm (locking of individual cabinets)

Lista e-Lock cabinets are controlled directly from the PC and accesses to the drawer cabinet can therefore be granted or denied. The storage or tool management software installed on the PC takes over management and control of accesses and documentation of the latter. The connection with Lista e-Lock is established via a standard RS232 interface. Lista provides the necessary communication protocol.

The access rights to the stored items or the cabinet are defined in the software. e-Lock locks itself automatically after a process. Consequently, only authorised accesses to the stored items are possible.



e-Lock Connecto scm-ia (locking of individual drawers)

Lista e-Lock cabinets are controlled directly from the PC and accesses to individual drawers can therefore be granted or denied. The storage or tool management software installed on the PC takes over management and control of accesses and documentation of the latter. The connection with Lista e-Lock is established via a standard RS232 interface. Lista provides the necessary communication protocol.

The access rights to the stored items or cabinet are defined in the software. e-Lock locks itself automatically after a process. Consequently, only authorised accesses to the stored items are possible.

E-LOCK

SYSTEM DESCRIPTION BASIC



e-Lock Basic

Electronic locking system. Operated using a hand-held radio transmitter. Radio-controlled unlocking. Cabinet locks itself automatically on expiry of an adjustable time interval. Programmable system. Assignable access rights. A LED (Light-emitting diode) indicates locking status. Cabinets may be linked together.

Deliverables: electronics, front-panel housing, locking mechanism installed and ready for use

Possibilities

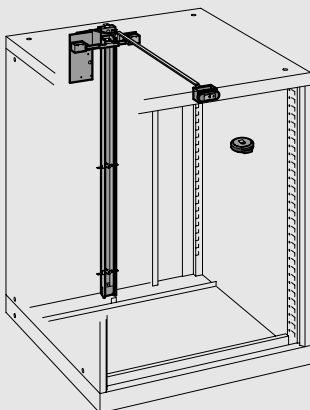
- Controlled accesses to one or several cabinets
- Cabinets close automatically after an operation
- Up to 30 different hand-held transmitters can be memorised per cabinet.

Advantages

- Secure storage, since the cabinets lock again automatically after each use.
- Only authorised accesses possible
- Simple handling and programming of the access rights.

Operation

- Cabinet unlocking uses a hand-held radio transmitter previously trained to the cabinet.
- A countdown starts each time a drawer is closed. The cabinet automatically re-locks itself at the end of the countdown interval.
- The countdown halts and resets if another drawer is opened during the countdown interval.
- The cabinet automatically locks itself after the last drawer is closed and the pre-set countdown interval has expired.



Programming Basic

- The programming key has the following functions: training transmitters to cabinets, deleting transmitters from the cabinets list of recognised units, emergency opening in the event of power failure.
- The programming key trains individual cabinets to recognise specific hand-held radio transmitters, thus facilitating the establishment of locking hierarchies.
- A cabinet may be trained to recognise a maximum of 30 transmitters.
- Every transmitter carries a unique code that is stored in the cabinets memory.
- The lock disengages as soon as the programming key is plugged in (provided the cabinet has been trained to recognise it).
- Cabinets can only be trained to recognise a single programming unit!

Mains adapter

- Electrical supply is via a mains adapter.
- Internal voltage 12V.
- One mains adapter can power a maximum of 6 cabinets.

Mains-independent powering (mobil)

- Batteries are maintained by a charger unit.
- Batteries may be permanently connected to the charger unit.
- The system warns of an emptying battery with a loud acoustic alert and blinking front panel LED.
- Cabinets go into "sleep mode" after a prolonged period of inactivity (>2 hours). Pressing the front panel button reactivates the cabinet.
- If the system cannot be restarted, the cabinet needs connecting to the charging unit.

Emergency opening

- The trained programming unit is also an emergency opener in the event of a power failure.

Retrofitting sets

Existing Lista cabinets can be retrofitted with an e-Lock system. For retrofitting the e-Lock system to existing cabinets manufactured from '98 onwards (sticker in cabinet base „01/98“).

Upgrade kits are available for Basic-Netz only, not Basic-Akku.

Deliverables: electronics, front-panel housing, locking mechanism and assembly instructions.

E-LOCK

COMPONENT PARTS BASIC

e-Lock electronic locking Basic

To order for housings see chapters of drawer cabinets.

Ref no.

18.611 Electronic locking e-Lock Basic

Deliverables: electronics, front-panel housing, locking mechanism installed and ready for use.

Hand transmitter for e-Lock Basic

Hand transmitter, frequency 433 MHz, plastic case with membrane keypad, 3,0V battery (CR2032), multiple cabinets may be programmed to respond to the transmitter, using the programming key.

Ref no.

18.628 Hand transmitter



Programming key for e-Lock Basic

For programming and erasing access rights. Can also be used for emergency opening in the event of a power outage. One programming key per e-Lock installation.

Ref no.

18.637 Programming key e-Lock Basic



Power unit for e-Lock Basic

External mains adapter, 230 / 110V to 12V, a maximum of 6 cabinets may be connected to one mains adapter via extension units.

Ref no. Type

18.629 CH

18.630 Schuko

18.631 F

18.719 GB



Extension units for e-Lock Basic

For linking pairs of cabinets. Consists of extension cable incl. connectors and cabinet screws.

Ref no.

18.723 Extension unit 2-pole, incl. screw joint, 1850mm

18.632 Extension unit 4-pole, incl. screw joint, 1850mm

18.774 Extension unit 4-pole, incl. screw joint, 5000mm



Battery for e-Lock Basic

For mobile use. The battery is glued into the cabinet housing. Mains-independent power source. Charging station not included. Recharge at least once a week.

Ref no.

18.633 Battery without charging station





Charging station for battery e-Lock Basic

For charging empty batteries via an external connector socket on the mobile cabinet.

Ref no.	Type
18.636	CH
18.720	Schuko
18.721	F
18.722	GB

Retrofitting sets e-Lock Basic for user fitting

For retrofitting the e-Lock system to existing cabinets manufactured from '98 onwards (sticker in cabinet base "01/98"). Deliverables: electronics, front-panel housing, locking mechanism, cables and assembly instructions. **Not for mobile cabinets!**

For cabinet height	
Ref no.	mm
18.614	283
18.615	383
18.617	533
18.619	650
18.620	700
18.621	800

For cabinet height	
Ref no.	mm
18.622	850
18.623	1000
18.624	1150
18.625	1325
18.626	1450
18.627	1625

Hand transmitter, mains adapter and programming key must be ordered separately.



E-LOCK

SYSTEM DESCRIPTION CONNECTO PCM

e-Lock Connecto pcm

e-Lock Connecto provides a connectivity option between e-Lock cabinets and higher-level systems. In contrast to the Basic system, there is no hand transmitter or programming key.

Cabinets open via the on-site access control system (no hand transmitter). Access rights programming takes place in the on-site system (no programming key).

Possibilities with Connecto pcm

- Connectivity to an access control system. Customers can thus continue using their existing security system (Legic card, U-key, etc.) to operate Lista e-Lock cabinets as well.
- Connection to a time lock system.
- Access rights are granted by the external system.

Advantages Connecto pcm

- Connectivity with a higher-level system
- Interlinking of max. 10 cabinets
- All cabinets unlock in tandem, or in max. 2 groups
- Check-back signal that cabinets have been opened
- Emergency unlocking in the event of power failure

Operation

- The remote system unlocks the cabinet.
- A countdown starts each time a drawer is closed. The cabinet automatically re-locks itself at the end of the countdown interval.
- The countdown halts and resets if another drawer is opened during the countdown interval.
- The cabinet automatically locks itself after the last drawer is closed and the pre-set countdown interval has expired.
- Automatic self-locking can be set on the interface (control unit) – see sticker.

Programming Connecto pcm

- Access rights programming is via the external system (on-site).

Mains adapter

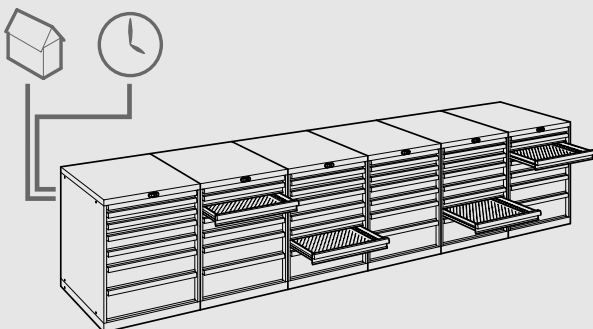
- Electrical supply is via a mains adapter.
- Internal voltage 12V.
- One mains adapter can power a maximum of 10 cabinets.

Emergency opening

- The e-Lock Emergency Kit unlocks cabinets in the event of a power failure.

Interface pcm

The interface is housed in a plastic casing. For connections between e-Lock and an external system. Connection to the external system is performed on-site by the vendor, according to the Lista connection schematic. A maximum of 10 cabinets may be connected in a maximum of 2 groups. The pcm is located externally from the cabinets in a Lista protective housing or other on-site hardware positioned no further than 3 metres away from the cabinets.



COMPONENT PARTS CONNECTO PCM

Electronic locking e-Lock Connecto pcm

To order for housings see chapters of drawer cabinets.

Ref no.

18.613 Electronic locking e-Lock Connecto pcm / scm / scm-ia

Deliverables: electronics, front-panel housing, locking mechanism installed and ready for use.

Interface Connecto pcm



Interface is housed in a plastic enclosure. For connections between e-Lock and an external system. Connection to the external system is performed onsite by the vendor, according to the Lista connection schematic. A maximum of 10 cabinets may be connected in a maximum of 2 groups. The Connecto pcm is located

externally from the cabinets in a Lista protective housing or other on-site hardware positioned no further than 3 metres away from the cabinets. Emergency unlocking in the event of a power failure using the emergency kit.

Ref no.

18.796 Incl. connection schematic, incl. protective housing, excl. emergency kit

One Connecto pcm interface can control 10 e-Lock cabinets. All connected cabinets unlock simultaneously. While there is no individual control, group control is possible (max. 2 groups). Connection to external system via relay contact.

Parallel connecting cable for e-Lock Connecto pcm



For connecting e-Lock cabinets to the interface, from the last cabinet to the interface.

Length

Ref no. mm

18.726 4200

Power unit CN for e-Lock Connecto pcm



External mains adapter 230 / 110V 1,25A to 12V, one mains adapter can power up to 10 cabinets.

Ref no. Type

18.728 CH

18.729 Schuko

Ref no. Type

18.730 F

18.731 GB

Emergency kit CN for e-Lock Connecto pcm

For emergency unlocking in the event of power failure. Consists of storage battery, charger unit and connecting module.

Unsuitable for use with e-Lock «BASIC».

Ref no.

18.732 Emergency kit CN

Extension units e-Lock Connecto pcm



For linking pairs of cabinets. Consists of extension cable incl. connectors and cabinet screws.

Ref no.

18.632 Extension unit 4-pole, incl. screw joint, 1850mm

18.774 Extension unit 4-pole, incl. screw joint, 5000mm



E-LOCK

SYSTEM DESCRIPTION CONNECTO SCM

e-Lock Connecto scm

Lista drawer cabinets with e-Lock scm can become a part of your inventory management system. Access authorisation can be assigned to individual users in an inventory management system. Authorised users can unlock cabinets individually via a PC. A display built into the front of the cabinet indicates which cabinet has been accessed. All other cabinets remain locked.

Possibilities with Connecto scm

- At the computer, the user can identify the location of the required item.
- The respective cabinet can be unlocked from the PC by means of the inventory management software.
- Stock replenishment at the cabinet itself is made possible by a special filling mode.
- Lista drawer cabinets equipped with e-Lock individual access can be integrated into an existing inventory management system.
- Access authorisation can be assigned to individual users in an inventory management system.
- Authorised users can unlock cabinets individually via a PC.
- A display built into the front of the cabinet indicates which cabinet has been accessed. All other cabinets remain locked.

Advantages

- Traceability of accesses
- Integration possible in any storage or tool management software
- Opens up new possibilities in decentralised storage
- The system offers a high degree of flexibility in the storage of parts with different dimensions.

Operation

- Drawers are individually unlocked by the customer's software.
- Automatic self-locking can be set on the interface (see sticker).
- Cabinet accesses may be logged by software.

Programming Connecto scm

- Programming uses the company's existing in-house software and the computer.

Mains adapter

- Electrical supply is via a mains adapter.
- Internal voltage 12V.
- One mains adapter can power a maximum of 10 cabinets.

Emergency opening

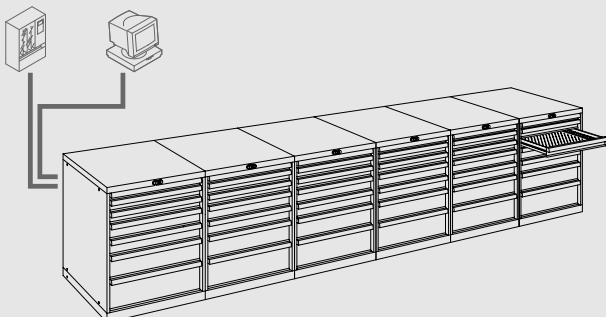
- The e-Lock Emergency Kit unlocks cabinets in the event of a power failure.

Interface scm

The interface is housed in a plastic casing. For connections between e-Lock and an external system. Connection to the external system is performed on-site by the vendor, according to the Lista connection schematic. A maximum of 10 cabinets may be connected in a maximum of 2 groups. The scm-ia is located externally from the cabinets in a Lista protective housing or other on-site hardware positioned no further than 3 metres away from the cabinets.

Note

- The system needs a inventory management software. Please ask for detailed information.



COMPONENT PARTS CONNECTO SCM

Electronic locking system e-Lock Connecto scm

To order for housings see chapter of drawer cabinets.

Ref no.

18.613 Electronic locking e-Lock Connecto pcm / scm / scm-ia

Deliverables: electronics, front-panel housing, locking mechanism installed and ready for use.

Interface Connecto scm



Interface is housed in a plastic enclosure. For connections between e-Lock and computer of the client. Connection to the external system is performed onsite by the client, according to the Lista connection schematic. A maximum of 10 cabinets may be connected. The

Connecto scm is located externally from the cabinets in a Lista protective housing or other on-site hardware positioned no further than 3 metres away from the cabinets. Emergency unlocking in the event of a power failure using the emergency kit.

Ref no.

19.039 Interface scm, incl. connection schematic, incl. protective housing, excl. emergency kit

One Connecto scm interface can control 10 e-Lock cabinets. Drawers are unlocked individually via the customer's software.

Zero modem cable for e-Lock Connecto scm



Connects the PC (provided by customer) and the interface.

Ref no.

18.797 Zero modem cable

Parallel connecting cable for e-Lock Connecto scm



For connecting e-Lock cabinets to the interface, from the last cabinet to the interface.

Length

Ref no. mm

18.726 4200

Power unit CN for e-Lock Connecto scm



External mains adapter 230 / 110V 1,25A to 12V, one mains adapter can power up to 10 cabinets.

Ref no. Type

18.728 CH

18.729 Schuko

Ref no. Type

18.730 F

18.731 GB

Emergency kit CN for e-Lock Connecto scm

For emergency unlocking in the event of power failure. Consists of storage battery, charger unit and connecting module.

Ref no.

18.732 Emergency kit CN

Extension units e-Lock Connecto scm

For linking pairs of cabinets. Consists of extension cable incl. connectors and cabinet screws.

Ref no.

18.632 Extension unit 4-pole, incl. screw joint, 1850mm

18.774 Extension unit 4-pole, incl. screw joint, 5000mm



E-LOCK

SYSTEM DESCRIPTION CONNECTO SCM-IA



e-Lock Connecto scm-ia (individual access)

Lista drawer cabinets with e-Lock scm-ia (individual access) can become a part of your inventory management system. Access authorisation can be assigned to individual users in an inventory management system. Authorised users can unlock drawers individually via a PC. A display built into the front of the cabinet indicates which drawer has been unlocked. All other drawers remain locked.

Possibilities with Connecto scm-ia (individual access)

- At the computer, the user can identify the location of the required item.
- The respective drawer can be unlocked from the PC by means of the inventory management software.
- Stock replenishment at the cabinet itself is made possible by a special filling mode.
- Lista drawer cabinets equipped with e-Lock individual access can be integrated into an existing inventory management system.
- Access authorisation can be assigned to individual users in an inventory management system.
- Authorised users can unlock drawers individually via a PC.
- A display built into the front of the cabinet indicates which drawer has been unlocked. All other drawers remain locked.

Advantages

- Traceability of accesses
- Integration possible in any storage or tool management software
- Opens up new possibilities in decentralised storage
- The system offers a high degree of flexibility in the storage of parts with different dimensions.

Operation

- Drawers are individually unlocked by the customer's software.
- Automatic self-locking can be set on the interface (see sticker).
- Cabinet accesses may be logged by software.

Programming Connecto scm-ia (individual access)

- Programming uses the company's existing in-house software and the computer.

Mains adapter

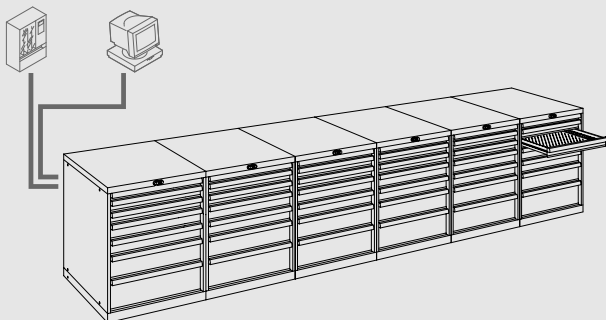
- Electrical supply is via a mains adapter.
- Internal voltage 12V.
- One mains adapter can power a maximum of 10 cabinets.

Emergency opening

- The e-Lock Emergency Kit unlocks cabinets in the event of a power failure.

Interface scm-ia (individual access)

The interface is housed in a plastic casing. For connections between e-Lock and an external system. Connection to the external system is performed on-site by the vendor, according to the Lista connection schematic. A maximum of 10 cabinets may be connected in a maximum of 2 groups. The scm-ia is located externally from the cabinets in a Lista protective housing or other on-site hardware positioned no further than 3 metres away from the cabinets.



COMPONENT PARTS CONNECTO SCM-IA

Electronic locking e-Lock Connecto scm-ia

Not compatibel with standard housing.

Ref no.

18.613 Electronic locking e-Lock Connecto pcm / scm / scm-ia

Cabinet housing type e-Lock Connecto scm-ia

Drawer status indicated by display on cabinet.

27x27E

Ref no.	Type	Clear height mm	Width mm	Depth mm	Height mm
49.000	B423	600	564	572	700
49.001	B424	750	564	572	850
49.002	B425	900	564	572	1000

27x36E

Ref no.	Type	Clear height mm	Width mm	Depth mm	Height mm
49.003	B312	600	564	725	700
49.004	B315	700	564	725	800
49.005	B314	750	564	725	850
49.006	B313	900	564	725	1000

36x27E

Ref no.	Type	Clear height mm	Width mm	Depth mm	Height mm
49.007	B431	600	717	572	700
49.008	B432	750	717	572	850
49.009	B433	900	717	572	1000
49.010	B434	1350	717	572	1450

36x36E

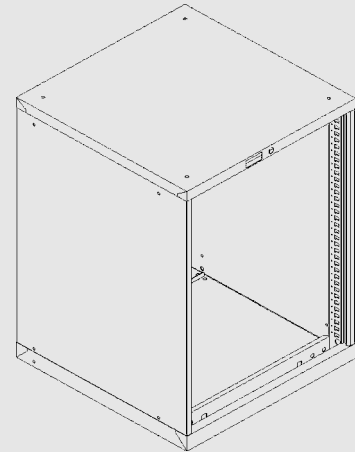
Ref no.	Type	Clear height mm	Width mm	Depth mm	Height mm
49.011	B12	600	717	725	700
49.012	B35	700	717	725	800
49.013	B32	750	717	725	850
49.014	B13	900	717	725	1000
49.015	B34	1050	717	725	1150
49.016	B14	1235	717	725	1325
49.017	B33	1350	717	725	1450
49.018	B15	1525	717	725	1625

45x36E

Ref no.	Type	Clear height mm	Width mm	Depth mm	Height mm
49.019	B92	600	870	725	700
49.020	B94	750	870	725	850
49.021	B95	900	870	725	1000
49.022	B98	1350	870	725	1450

54x27E

Ref no.	Type	Clear height mm	Width mm	Depth mm	Height mm
49.023	B52	600	1023	572	700
49.024	B54	750	1023	572	850
49.025	B55	900	1023	572	1000
49.026	B58	1350	1023	572	1450



54x36E

Ref no.	Type	Clear height mm	Width mm	Depth mm	Height mm
49.027	B72	600	1023	725	700
49.028	B74	750	1023	725	850
49.029	B75	900	1023	725	1000
49.030	B78	1350	1023	725	1450

64x36E

Ref no.	Type	Clear height mm	Width mm	Depth mm	Height mm
49.031	B27	600	1193	725	700
49.032	B28	900	1193	725	1000
49.033	B29	1225	1193	725	1325
49.034	B30	1350	1193	725	1450

78x36E

Ref no.	Type	Clear height mm	Width mm	Depth mm	Height mm
49.035	B17	600	1431	725	700
49.036	B18	900	1431	725	1000
49.037	B19	1225	1431	725	1325
49.038	B20	1350	1431	725	1450

With display opening top

Interface Connecto scm-ia



Interface is housed in a plastic enclosure. For connections between e-Lock and computer of the client. Connection to the external system is performed onsite by the client, according to the Lista connection schematic. A maximum of 10 cabinets may be connected. The

Connecto scm-ia is located externally from the cabinets in a Lista protective housing or other on-site hardware positioned no further than 3 metres away from the cabinets. Emergency unlocking in the event of a power failure using the emergency kit.

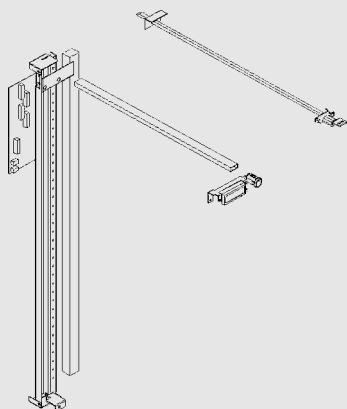
Ref no.

49.048 Interface Connecto scm-ia, incl. connection schematic, incl. protective housing, excl. emergency kit

One Connecto scm-ia interface can control 10 e-Lock cabinets. Drawers are unlocked individually via the customer's software. Software minutes are conveyed electronically.

Connecto scm-ia locking system

Consists of locking bar, cable, front panel and display.



For cabinet depth 27E

Ref no.	Nominal height mm
49.049	700
49.050	850

Ref no.	Nominal height mm
49.051	1000
49.052	1450

For cabinet depth 36E

Ref no.	Nominal height mm
49.039	700
49.040	800
49.041	850
49.042	1000

Ref no.	Nominal height mm
49.043	1150
49.044	1325
49.045	1450
49.046	1625

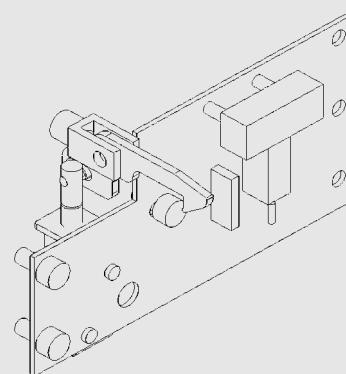
Drawer module for e-Lock Connecto scm-ia

One module must be ordered for each drawer. Modules are installed on the locking bar according to drawer.

Ref no.	
49.047	Drawer module Connecto scm-ia

Drawers

For e-Lock Connecto scm-ia, standard drawers with full extension (VA) can be used in the respective housing sizes. Only use drawers with a full extension. Drawers with a simple extension are not compatible with e-Lock Connecto scm-ia.



Zero modem cable for e-Lock Connecto scm-ia

Connects the PC (provided by customer) and the interface Connecto scm-ia.

Ref no.	
18.797	Zero modem cable



Parallel connecting cable for e-Lock Connecto scm-ia

For connecting e-Lock cabinets to the interface, from the last cabinet to the interface.

	Length
Ref no.	mm
18.726	4200



Power unit CN for e-Lock Connecto scm-ia

External mains adapter 230 / 110V 1,25A to 12V, one mains adapter can power up to 10 cabinets.

Ref no.	Type	Ref no.	Type
18.728	CH	18.730	F
18.729	Schuko	18.731	GB



Emergency kit CN for e-Lock Connecto scm-ia

For emergency unlocking in the event of power failure. Consists of storage battery, charger unit and connecting module.

Unsuitable for use with e-Lock «BASIC».

Ref no.	
18.732	Emergency kit CN

Extension units e-Lock Connecto scm-ia

For linking pairs of cabinets. Consists of extension cable incl. connectors and cabinet screws.

Ref no.	
18.632	Extension unit 4-pole, incl. screw joint, 1850mm
18.774	Extension unit 4-pole, incl. screw joint, 5000mm



